

# EMH Wire Rope Hoists

## Dimensions and Specifications

Hoist Model: EM 5000D  
Trolley Type: Top Running for Double Girder Cranes

Reeving: 2 to 1

Capacities: 5, 7.5, and 10 tons

Rope Diameter:	16 mm
Drum Diameter:	11.625"
Sheave Diameter:	13"
Hoist Motor HP:	20.4/3.4
Trolley Motor HP:	2 x 0.75
Speeds (fpm):	32/5.3, 42/7
Std. Trolley Speed (fpm):	80 VFD

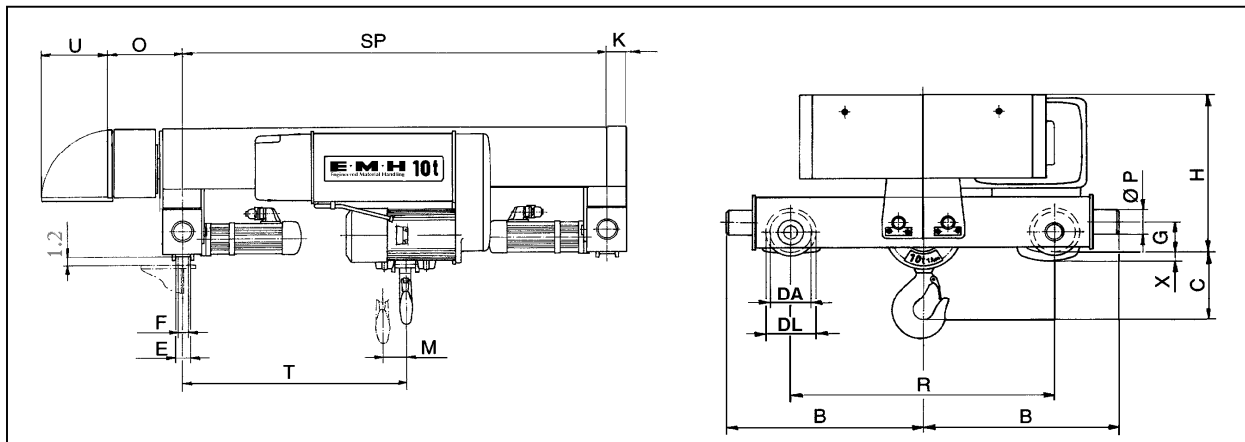
Duty Service Classification		FEM	HMI
Capacity in US Tons	5	3	H4
	7.5	2	H4
	10	1	H3

Dimensions (inches):		
Refer to drawing below. M, T and Standard SP (trolley gauge) dimensions plus weight shown in adjacent tables.	B:	33
	C:	14.5
	DA:	7.875
	DL:	8.875
	E:	2.625
	F:	2.325
	G:	5
	H:	35
	K:	4
	O*:	17.5
	P:	3.125
	R:	48
	U*:	18
X:	2.375	

Standard SP (trolley gauge):			
Varies with lifts shown at right.	40 ft.	65 ft.	99 ft.
	63	78.75	78.75

Available Lifts (feet):				
M, T, and Wt. vary with lift.		M (in.)	T (in.)	Wt. (lbs.)
	40	9	34	2500
	65	15	35.25	2600
	99	22.5	36.75	2700

\* Dimensions O and U may vary depending on the type of control.



**EMH**<sup>®</sup>  
Engineered Material Handling